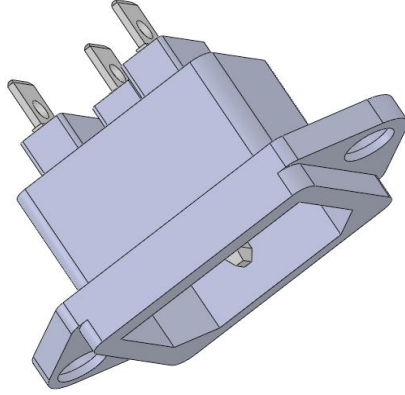


**ÜRÜN KODU / PRODUCT CODE: UK 19****10 A 250 V ÖZEL TİP ŞASE SOKET / 10 A 250 V SPECIAL TYPE SOCKET****TEKNİK ÖZELLİKLERİ / CHARACTERISTICS**

Beyan Akımı / Current rating	10 A
Beyan Gerilimi / Voltage	125 V

3 Pin chassis inlet

BS4491/CEE22 configuration

Connection via 4.8 mm receptacle or soldering.

**FİŞ STANDARTLARI / PLUG STANDARDS**

IEC POWER INPUT RECEPTACLE